
BL-201-00-868 UP BROADCAST, EnOcean DALI controller

Lighting control with fixed function: DALI-BROADCAST on single rocker, all ON/OFF/DIM

Item no.: 11042

Interfaces:

1x DALI Master, 1x EnOcean, supply voltage: 230 V AC



DALI

The EnOcean DALI controller type **BL-201-00-868 UP BROADCAST** offers a DALI master and an integrated DALI power supply unit for the direct connection of up to 17 slaves (Iout max. = 34 mA) without the need for a separate DALI power supply unit.

An EnOcean radio transceiver is also integrated. These features enable the simple and trouble-free combination of DALI ballasts or DALI LED drivers and light switches with wireless EnOcean technology. The device is supplied with 230V AC mains voltage.

As a fixed function, it offers **simultaneous switching and dimming of up to 17 DALI ballasts with a simple rocker via DALI BROADCAST** command

Technical data

Interfaces

Type	DALI Master
Quantity	1
Output current	Max. 34 mA (17 DALI ECG)
Output voltage	Type. 16V DC (+/- 5%)
Galvanic isolation	Yes

Type	EnOcean
Quantity	1
Transmit/receive center frequency	868.0 MHz / ASK
Frequency range used	868.0 - 868.6 MHz
Maximum transmission power	Type. 3 dBm @ 868.300 MHz
Receiver category according to EN	2

User interfaces

Service button	Yes, service, on the side of the housing
Service LED	1x, red

Housing / connection technology

Connection technology	Screw terminals, max. 1.0mm ² with wire end ferrule, or 1.5mm ² rigid
Housing	UL-V0, black, for flush-mounted box

Supply

Supply voltage	230V AC
Power consumption	Type. 1.4W, max. 2.0W

Ambient conditions

Operating temperature	+5°..+50°C
Storage temperature	-20°..+70°C
Air humidity	10..95% relative humidity, non-condensing
Protection class	IP20

Dimensions and weight

Weight	40g
Dimensions	51x51x33 mm

Tests / approvals

CE	2014/53/EU RED Directive 2011/65/EU RoHS Directive
Tests / Standards	EN 60950-1:2006 + A11:2009 + A1:2010 + A12:2011 + AC:2011 +A2:2013 EN 61000-6-2:2019-11 EN 61000-6-3:2022-06 EN 61000-3-3:2023-02 EN 61000-4-7:2009-12 ETSI EN 300 220-2 V3.2.1 (2018-06) ETSI EN 301 489-1 V2.2.3 (2019-11) ETSI EN 301 489-3 V2.3.2 (2023-01)

Table of supported EEP (EnOcean Equipment Profile)

No. No.	EEP	Description
1	F6-02-01	Light and Blind Control - Application Style 1
2	F6-02-02	Light and Blind Control - Application Style 2
3	F6-02-03	Light Control - Application Style 1

Brief description

Power supply

The BL-201-00-868 UP BROADCAST is supplied with 230V AC mains voltage.

DALI Master

The BL-201-00-868 UP BROADCAST is a DALI master in accordance with the DALI specification. It also has an integrated DALI power supply unit for up to 17 DALI ballasts or drivers ($I_{max} = 34 \text{ mA}$).

It can therefore be operated without an additional DALI power supply unit.

EnOcean

The EnOcean transceiver type TCM310 reads the radio telegrams from the light switches (RPS telegram).

Service button / Service LED

The BL-201-00-868 UP BROADCAST has a service button on the side of the device for teaching the EnOcean light switches (up to 10).

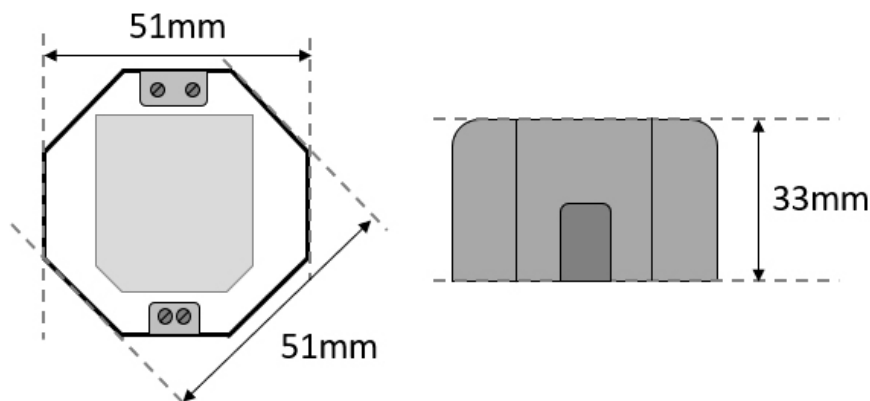
The red service LED provides various status information about the controller (see below).

Functions of the control unit

The BL-201-00-868 UP BROADCAST allows you to teach in up to 10 EnOcean light switches with double rocker.

Pressing the service button $\leq 1 \text{ sec.}$:	Sets the BL-201-00-868 UP BROADCAST to learning mode, service LED lights up continuously; EnOcean switch is actuated: The switch is paired with the BL-201.
Pressing the service button $\geq 2 \text{ sec.}$:	Service LED lights up briefly ($< 1 \text{ sec.}$): There is no longer a switch paired with the BL-201.
Switch / rocker short, top:	Switches on all loads on the DALI.
Switch / rocker short, bottom:	Switches off all loads on the DALI.

Switch / rocker long, top:	Dimming (brighter) of all loads on the DALI until the switch is released or 100% brightness is reached.
Switch / rocker long, bottom:	Dimming (darker) of all loads on the DALI until the switch is released or 0% brightness is reached.

Dimensions: 51 x 51 x 33 mm**Order information**

Article text	Order number	Description
BL-201-00-868 UP BROADCAST	11042	EnOcean DALI controller BL-201 series Function: DALI Broadcast ON/OFF/DIM on single rocker switch 230V AC, 868MHz, flush-mounted housing

EU Declaration of Conformity

Hereby, DEUTA Controls GmbH declares that the radio equipment type BL-201-00-868 UP BROADCAST is in compliance with Directive 2014/53/EU. The full text of the EU Declaration of Conformity is available at the following Internet address: www.deuta-controls.de in the Service/Downloads section (Doc. EUDC2024_101).

Version 21, 16.01.2024