

BL-201-10-868 UP FLEX, EnOcean DALI controller

Light control, freely configurable with PC software BL-PC-FLEX-2

Item no.: 11214

Interfaces:

1x DALI master, 1x EnOcean bi-directional, supply voltage: 230 V AC



The EnOcean DALI controller type **BL-201-10-868 UP FLEX** offers a DALI master and an integrated DALI power supply unit for the direct connection of up to 17 slaves (Iout max. = 34 mA) without the need for a separate DALI power supply unit.

An EnOcean radio transceiver is also integrated. These features enable the simple and trouble-free combination of DALI ballasts or DALI LED drivers and light switches with wireless EnOcean technology. The device is supplied with 230 V AC mains voltage.

It offers **freely configurable functions** via the **BL-PC-FLEX-2** (formerly BL-PC-FLEX) PC tool (not included in the scope of delivery).

Technical data

Interfaces

Type	DALI Master
Quantity	1
Output current	Max. 34 mA (17 DALI ECG)
Output voltage	Type. 16V DC (+/- 5%)
Galvanic isolation	Yes

Type	EnOcean
Quantity	1
Transmit/receive center frequency	868.0 MHz / ASK
Frequency range used	868.0 - 868.6 MHz
Maximum transmission power	Type. 3 dBm @ 868.300 MHz
Receiver category according to EN	2

User interfaces

Service button	Yes, service, on the side of the housing
Service LED	1x, red

Housing / connection technology

Connection technology	Screw terminals, max. 1.0mm ² with wire end ferrule, or 1.5mm ² rigid
Housing	UL-V0, black, for flush-mounted box

Supply

Supply voltage	230V AC
Power consumption	Type. 1.4W, max. 2.0W

Ambient conditions

Operating temperature	+5°..+50°C
Storage temperature	-20°..+70°C
Air humidity	10..95% relative humidity, non-condensing
Protection class	IP20

Dimensions and weight

Weight	40g
Dimensions	51x51x33 mm

Tests / approvals

CE	2014/53/EU RED Directive 2011/65/EU RoHS Directive
Tests / Standards	EN 60950-1:2006 + A11:2009 + A1:2010 + A12:2011 + AC:2011 + A2:2013 EN 61000-6-2:2019-11 EN 61000-6-3:2022-06 EN 61000-3-3:2023-02 EN 61000-4-7:2009-12 ETSI EN 300 220-2 V3.2.1 (2018-06) ETSI EN 301 489-1 V2.2.3 (2019-11) ETSI EN 301 489-3 V2.3.2 (2023-01)

Table of supported EEP (EnOcean Equipment Profile) (as of 08.04.2020)

No. No.	EEP	Description
1	F6-02-01	Light and Blind Control - Application Style 1
2	F6-02-02	Light and Blind Control - Application Style 2
3	F6-02-03	Light Control - Application Style 1
4	A5-07-01	Occupancy with Supply voltage monitor
5	A5-07-02	Occupancy with Supply voltage monitor
6	A5-07-03	Occupancy with supply voltage monitor and 10-bit illumination measurement
7	A5-06-01	Light Sensor, range 300lx to 60.000lx
8	A5-06-02	Ligth sensor, range 0lx to 1.020lx
9	A5-08-01	Range 0lx to 510lx, 0°C to +51°C and Occupancy Button

Brief description

Power supply

The BL-201-10-868 UP FLEX is supplied with 230V AC mains voltage.

DALI Master

The BL-201-10-868 UP FLEX is a DALI master in accordance with the DALI specification. It also has an integrated DALI power supply unit for up to 17 DALI ballasts or drivers ($I_{max} = 34 \text{ mA}$).

It can therefore be operated without an additional DALI power supply unit.

EnOcean

The EnOcean transceiver type TCM310 reads the radio telegrams from the sensors (see table). It also transmits response telegrams received from the DALI via EnOcean when the BL-201-10-868 UP FLEX is operated in transparent mode.

Service button / Service LED

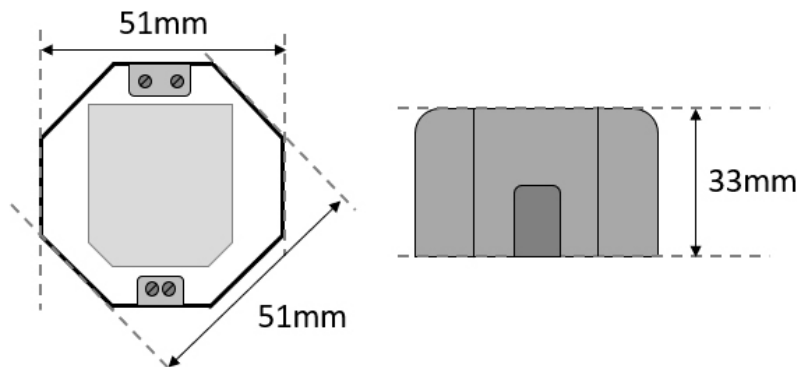
The BL-201-10-868 UP FLEX has a service button on the side of the device. This is currently without function.

The red service LED provides various status information about the controller (see below).

Functions of the control unit

The EnOcean DALI controller type BL-201-10-868 UP FLEX is configured wirelessly via an EnOcean USB stick using the BL-PC-FLEX-2 PC software (formerly BL-PC-FLEX). It currently supports the use of light switches, light buttons, motion detectors and daylight sensors based on EnOcean. Please refer to the documentation for the BL-PC-FLEX-2 software, which can be found on our homepage at www.deuta-controls.net, for the range of control functions, such as scene control, timers and switching functions. If you have installed the software, you can find the manuals by calling up the "Show help" function.

Dimensions



Order information

Article text	Order number	Description
BL-201-10-868 UP FLEX	11214	EnOcean DALI controller BL-201 series Function: Freely configurable with BL-PC-FLEX software 230V AC, 868MHz, flush-mounted housing

EU Declaration of Conformity

Hereby, DEUTA Controls GmbH declares that the radio equipment type **BL-201-10-868 UP FLEX** is in compliance with Directive 2014/53/EU. The full text of the EU Declaration of Conformity is available at the following internet address: www.deuta-controls.de in the Service/Downloads section (Doc. EUDC2024_102).

Version 21, 16.01.2024