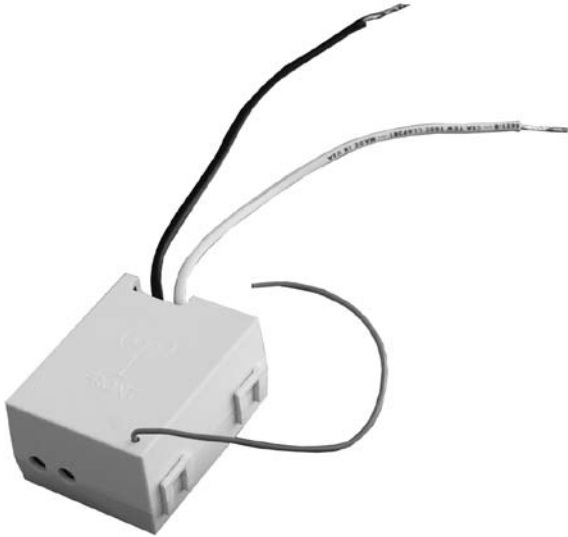


LevNet RF Wireless Self-Powered Solutions Transmitters



SLT Circuit Interlock Transmitter



4 Channel SLT Transmitter

Wireless self-powered technology means no new wiring is required. Leviton LevNet RF Wireless Self-Powered Solutions are easy to install and maintenance-free, saving ongoing labor and material costs while saving energy.

EnOcean® technology allows energy harvesting LevNet RF Transmitters to operate indefinitely without the use of batteries. The motion of a switch actuation, light on a solar cell, or temperature differentials in the environment provide power to LevNet RF Transmitters, allowing zero-maintenance wireless devices. The LevNet RF line includes multiple products that operate in the uncrowded 315MHz band offering greater transmission range (50-150 feet) than other wireless technologies and minimal competitive traffic.



LevNet RF Transmitters communicate with LevNet RF Receivers that control virtually any ON/OFF device. The Sensors can be used for temperature control and occupancy sensing. Wireless, self-powered technologies make them the ideal solution for retrofits and new construction; installation is quick and easy with no additional wiring required. It takes only minutes to install and configure.

APPLICATIONS

- Retrofits
- New construction
- Conference rooms
- Classrooms
- Private offices
- Executive offices
- Restrooms
- Daycare facilities
- Lobbies
- Gas stations

PRODUCT DATA

SLT CIRCUIT INTERLOCK TRANSMITTER (WSSLT-010 | WSSLT-R10)

To control loads, the LevNet RF Switch Leg Transmitter (SLT)/ Power Sensor replaces wires between an electrical load and a switch with an RF control signal. The SLT Power Sensor connects to a standard switch and controls loads that are connected to LevNet RF Receivers. The SLT senses the power state of a wired switch, light, or other device and transmits it to a LevNet RF Receiver to control another load.



FEATURES

- **Easy-to-use:** run zero switch-leg wires
- **Reliable range:** unique ID of each SLT activates only the intended Receiver(s)
- **Saves energy:** conserves energy and saves money by using the SLT in load shedding or energy-efficient HVAC control applications; connects HVAC, lighting, or other devices to a Relay Receiver to turn them OFF and ON automatically in sync with any device connected to an SLT
- **Simple wireless control:** economy HVAC controls, interlocked motor controls, and secondary circuit follows power status of primary circuit
- **Control the way you want it:** controls one or multiple new devices with an existing switch and senses power state of one device and wirelessly controls a Receiver connected to another device

4-CHANNEL SLT TRANSMITTER (WSSLT-GPO)

The LevNet RF 4-Channel SLT Transmitter connects four general purpose input/output (GPIO) signals from the HVAC to sync with lighting controls and features inputs for 0-30VDC or dry contacts. Replacing wires between an electrical load and a switch with an RF control signal, the SLT connects to a standard switch and controls LevNet RF Receivers. LevNet RF Receivers that are connected to an electrical load and programmed to respond to an SLT will mirror the status of the standard wired switch.

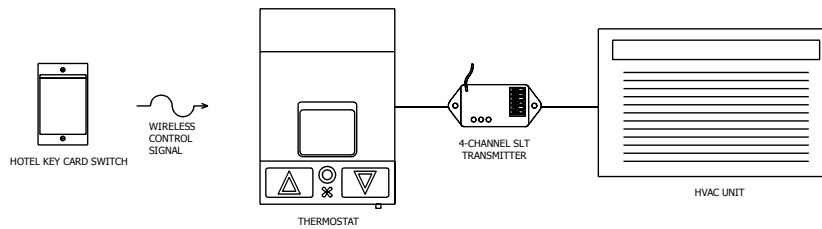
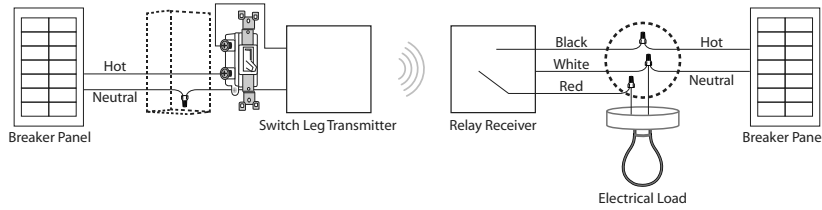
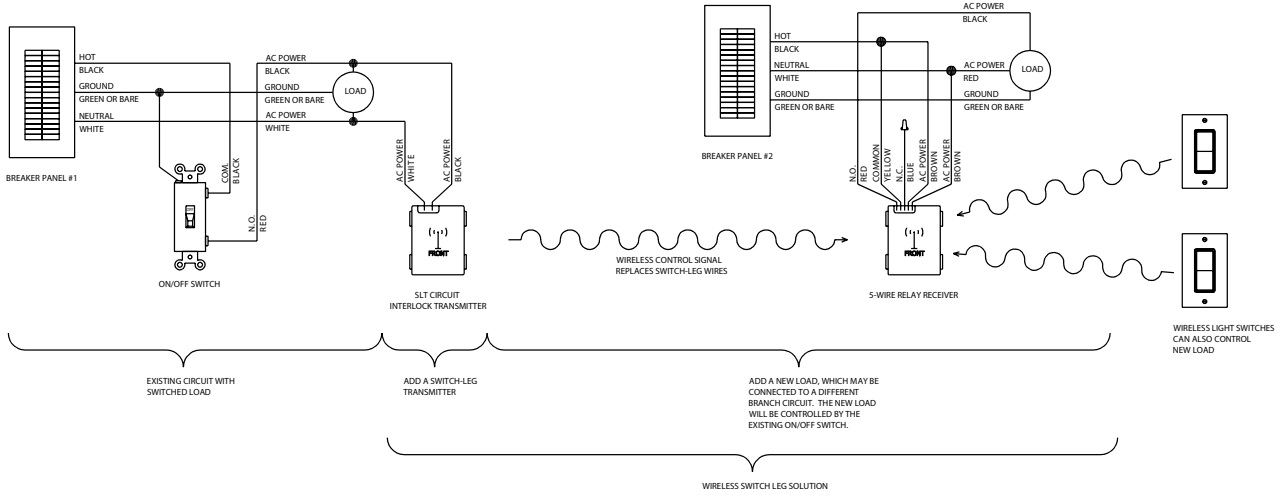


When the power to the SLT turns on, the SLT sends a wireless signal to one or more LevNet RF Receivers that are connected to electrical loads, turning on the loads. The SLT can communicate with an unlimited number of LevNet RF Receivers. One LevNet RF Receiver can respond to up to 30 LevNet RF SLTs.

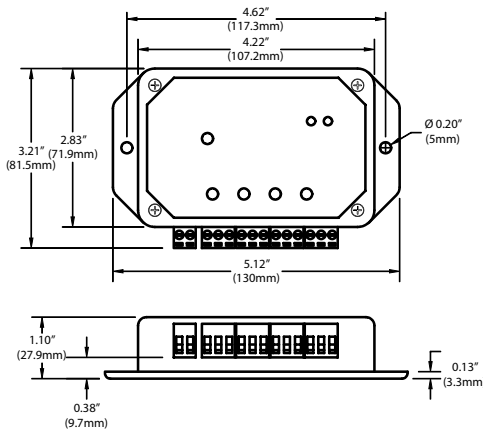
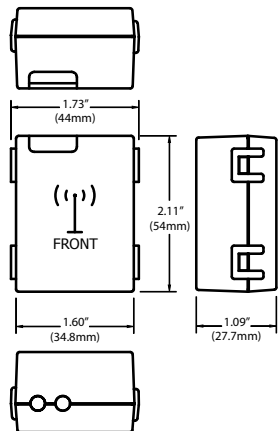
FEATURES

- **Easy-to-use:** control one or multiple new loads with an existing switch and run zero switch-leg wires
- **Reliable range:** error checking ensures response only to appropriate Switches on all packet transfers; repeaters available for added range

NETWORK DIAGRAMS



DIMENSIONS



SLT Circuit Interlock Transmitter

4-Channel SLT Transmitter

Leviton Mfg. Co., Inc. Lighting Management Systems

20497 SW Teton Avenue, Tualatin, OR 97062 1-800-736-6682 Tech Line: 1-800-959-6004 Fax: 503-404-5594 www.leviton.com/lms
 © 2009 Leviton Manufacturing Co., Inc. All rights reserved. Subject to change without notice.

PRODUCT DATA



SPECIFICATIONS

| LEVNET RF TRANSMITTERS | |
|------------------------|--|
| Range | 50-150 feet |
| Frequency | 315MHz |
| Operating Temperature | 14°F to +122°F (-10° to +50°C) |
| Dimensions | 2.11" W x 1.73" H x 1.09" D (54mm x 44mm x 28mm) |
| Listings | ETL (U.S.) UL244A, ETL (Canada) CSAC22.2#14-05 |
| Addressing | Factory set unique ID (1 of 4 billion) |
| Radio Certifications | FCC Certified for Wireless Communication (U.S.), I.C. Certified (Canada) |

| SLT CIRCUIT INTERLOCK TRANSMITTER (WSSLT-010/ WSSLT-R10) | |
|--|---|
| Power Supply Input | WSSLT-010: 120VAC, 50/60Hz WSSLT-R10: 24VAC, 50/60Hz |

| 4-CHANNEL SLT TRANSMITTER (WSSLT-GP0) | |
|---------------------------------------|-----------------|
| Power Supply Input | 120VAC, 50/60Hz |

ORDERING INFORMATION

| CAT. NO. | DESCRIPTION |
|-----------|---|
| WSSLT-010 | SLT Circuit Interlock Transmitter, 120VAC |
| WSSLT-R10 | SLT Circuit Interlock Transmitter, 240VAC |
| WSSLT-GP0 | 4-Channel SLT Transmitter |

LevNet RF Transmitters

LEVITON SPECIFICATION SUBMITTAL

| | |
|-------------|------------------|
| JOB NAME: | CATALOG NUMBERS: |
| JOB NUMBER: | |

Leviton Manufacturing Co., Inc. Lighting Management Systems

20497 SW Teton Avenue, Tualatin, OR 97062

Telephone: 1-800-736-6682 • FAX: 503-404-5594 • Tech Line (6:00AM-4:00PM P.S.T. Monday-Friday): 1-800-959-6004

Leviton Manufacturing of Canada, Ltd.

165 Hymus Boulevard, Pointe Claire, Quebec H9R 1E9 • Telephone: 1-800-469-7890 • FAX: 1-800-563-1853

Leviton S. de R.L. de C.V.

Lago Tana 43, Mexico DF, Mexico CP 11290 • Tel. (+52) 55-5082-1040 • FAX: (+52) 5386-1797 • www.leviton.com.mx

Visit our Website at: www.leviton.com/lms

© 2009 Leviton Manufacturing Co., Inc. All rights reserved. Subject to change without notice.

G-8222/Gg-ak