

# Energy Harvester

## SPGA Series

## DATA SHEET

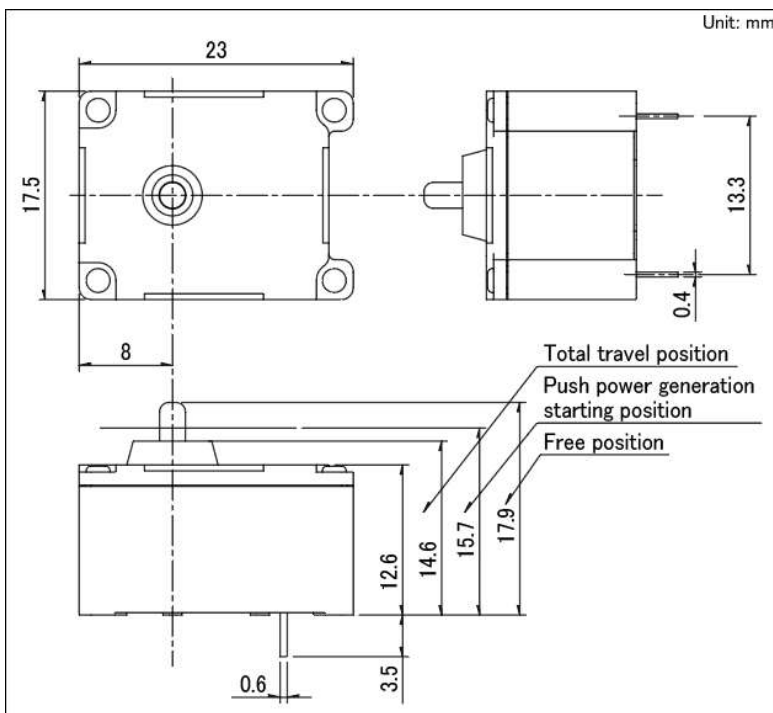


The SPGA Series Energy Harvester is a compact power-generating device employing electromagnetic induction to generate power with each push or release. Combined with low-power wireless technology, the device can function as a switch. It can be installed away from a main board, for example, in places where connection to a power source, or battery replacement, is difficult, and is ideal particularly for frequently operated equipment.

### Feature

Items	Specifications
Dimensions (W×D×H)	17.5×23×17.9mm
Energy output	> 170μJ(for each operation)
Operating force	6N±1.5N
Travel	3.3mm
Operating life	> 1,000,000 cycles
Operation	Push
Terminal type	For PC board
Operating temperature range	-20°C ~ +70°C
Packing unit	320 pcs , Tray

### Dimensions



Output sample (electromotive force)

