

AL-512-00-921 EnoDisc (KOREA)

EnoDisc® / IP-ENOCEAN-BRIDGE PoE

Bi-directional bridge between Ethernet-IP and EnOcean, Power Over Ethernet
EnOcean 921.7 MHz / KOREA

Part nr. 12526

Interfaces:

1x Ethernet RJ45., 1x EnOcean bi-directional (internal antenna), power supply: Power Over Ethernet



The IP-EnOcean-Bridge **AL-512-00-921 white / EnoDisc®** provides an Ethernet interface and an EnOcean transceiver, to receive EnOcean sensor data via 921,7 MHz, and to transmit data to actuators and configuration data via the wireless EnOcean interface.

The **EnoDisc®** works completely transparent using the well specified **EnOcean Serial Protocol 3 (ESP3)**. Besides the IP address and the subnet mask assignment via DHCP (default) or fixed IP, no configuration is needed to integrate and use the **EnoDisc®**. Received data will not be interpreted in any way by the **EnoDisc®**.

The on-wall housing of the **EnoDisc®** consists of three parts, and allows an optimized installation procedure (adapter for roof mounting, lower part for RJ45 Ethernet connection, upper part with electronics).

Technical data

Interfaces

Type	Ethernet, 10/100 Mbit
Number	1
Galvanic isolation	Ethernet: Yes / PoE: No

Type	EnOcean
Number	1
Operating frequency	921.7 MHz
Transmission power	0 dBm
Modulation type	FSK
Number of channels	Ch 24 (921,7 MHz)
Transfer / data rate	125 kbit/s

User interfaces

Service button	No
Service LED	Green, inside the housing, to show link and activity status

Housing / connectors

Connection technology	RJ45
Gehäuse	Plastic, ABS, grey / white RAL 9002

Power supply

Supply voltage	PoE (nom. 48 V DC)
Power consumption	typ. 0.7 W, max. 1.0 W

Environmental conditions

Operating temp.	0°..45°C
Storage temp.	-20°..+70°C
Humidity	10..95% rel. Humidity, non- condensing
Protection class	IP20

Dimensions and weight

Weight	95g
Dimensions	Diameter 110 mm Height 58 mm

Factory settings

DHCP	activated
------	-----------

Table of supported EEP (EnOcean Equipment Profile)

EnOcean data will be received and transmitted by the EnOcean transceiver and an integrated PCB antenna. Once connected to the EnoDisc® via Ethernet TCP on port 8424, data will be sent by / can be received by the EnoDisc®.

Note:

The Ethernet connection will be closed after 10 seconds without any data transfer.

Short description

Supply voltage

The **EnoDisc®** is supplied by an Ethernet-Switch with **PoE-Ports** or a **PoE-Injector** via the Ethernet cable.

Ethernet

The **EnoDisc®** communicates by Ethernet with a PLC (Programmable Logic Controller). Any communication (receive and transmit) with the **EnoDisc®** is based on data exchange in **ESP3** format (EnOcean Serial Protocol 3).

The connection to the **EnoDisc®** has to use port 8424.

The default IP address is 192.168.1.50, subnet mask is the 255.255.255.0.

Electrical connections and mounting

The adapter of the housing has to be fixed to the wall or the ceiling (housing part 1) by screws.

In the next step, the housing part with the RJ45 connector has to be mounted (housing part 2), and the electrical connection can be done using a standard LSA tool.

Finally, the electronic module can be connected to the base with a flat ribbon cable and the small connector (housing part 3).

The housing can now be closed by rotating the two parts clockwise against each other.

EnOcean, bidirectional

The integrated EnOcean transceiver allows to receive and to send data from and to EnOcean sensors and actuators.

Service LED

When the upper shell of the device is opened, the integrated green LED shows the status of the **EnoDisc®**:

- LED off = power supply is off, no PoE present
- LED steady on = power supply is o.k., Ethernet link is active
- LED flashing all 10 seconds = Receiving data from TCP connection
- LED flashing = Receiving or transmitting EnOcean data from/to TCP

Configuration

For detailed information about device configuration, please read the manual.

Basic functions of the EnoDisc®

Receive EnOcean telegrams

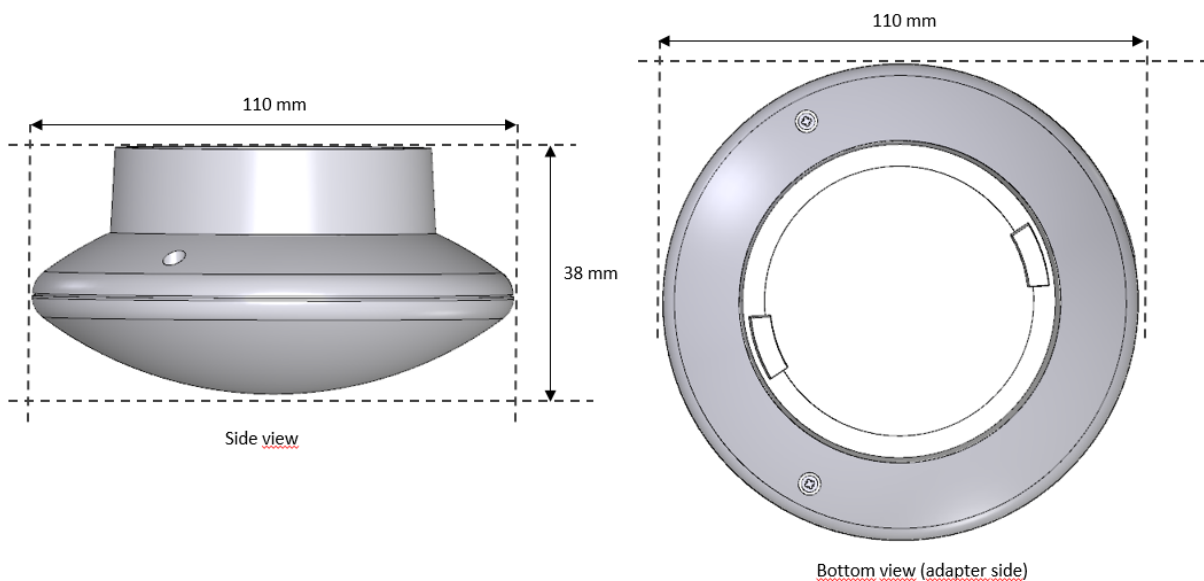
As long as a TCP connection is active using port 8424, the **EnoDisc®** is ready to receive EnOcean telegrams in ESP3 format.

Transmission of EnOcean telegrams

The **EnoDisc®** will transmit data received from the Ethernet connection in ESP3 format by the EnOcean transceiver.

For a more detailed description off all functions, please read the manual.

Dimensions:



Ordering information

Article text	Part nr.	Description
AL-512-00-921 EnoDisc	12526	AL-512-00-921 IP-ENOCHEAN-BRIDGE POE / RJ45 / EnoDisc / white / KC / KOREA; Bidirectional bridge between EnOcean and Ethernet TCP; power supply by PoE; communication via ESP3 (EnOcean Serial Protocol 3); EnOcean 921 MHz; KC; on-wall housing, threepart; weight: 95 g, operating temp.: 0°C - 45°C storage temp.: -20°C - 70°C, humidity: 5 - 90% RH, non-condensing; connector: RJ45;

Version 1, 06.09.2023